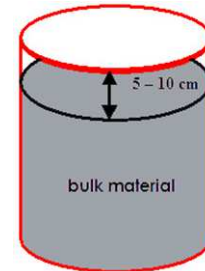


- Dimension:

Erstellt am 10. Februar 2021 | Zeichen: SoW

Nominal- $\varnothing$ / Interior Diameter	Interior Diameter	Volume
282 mm		20 - 30 litre
315 mm		30 – 37 litre
355 mm		60 litre



- material: steel, metal, plastic – no tin plate!
- head space between bulk material and lid should be min. 5 – 10 cm
- the pail has to be equipped with a cylindric form (only the inner diameter), whereas you have to look after a plain body or after a body without seams.
- pasty / solid materials:  
Pail bulk should be provided with an open head lid (see pic.1). Optional with side grips or closures in the lid.
- liquid materials:  
If a filling via gravity is possible the material can be provided in pails with tight head with a bunge hole (see pic. 3).
- internal diameter metal-shell for plastic pail: **290 mm**
- hotmelts could be filled out of pails with an outer diameter of 280 mm



pic. 1: plastic pail

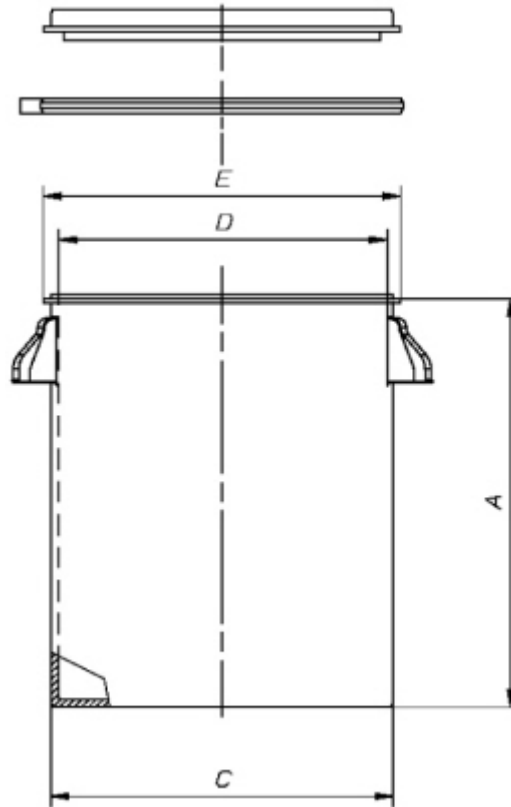


pic. 2: steel pail  
with outer leverage locking



pic. 3: pail with bunge hole

**Example:**



dimensions [mm]		
total height:	$\pm 2$	380,5
height A:	$\pm 2$	367
diameter C:	$\pm 1,5$	287
min. opening D: 1,5	$\pm$	282
diameter E: 1,5	$\pm$	305